

CONGRATULATIONS

Thank you for purchasing and using our laminator .

You have purchased the finest laminator available in its service class. It was designed and manufactured to provide you with the utmost in utility. As with any device that combines power and movement in its use, there are dangers if improperly used. At the same time, there are easier and faster ways for getting the job done if certain precautions are taken first. Please read this manual carefully. It contains useful ideas in obtaining the most efficient operation from your laminator and safety procedures you need to know before beginning use. Save the manual for later use.

CONTENTS

SAFETY PRECAUTIONS	1
STRUCTURE AND CONTROL PANEL	3
INSTALLATION	4
FUNCTION OF DIGITAL DISPLAY CONTROL PANEL AND EMERGENCY STOP	5
OPERATION INSTRUCTIONS	
Preparation	7
Hot laminating	10
Cold laminating	11
MAINTENANCE AND SERVICE	11
SPECIFICATION	14

SAFETY PRECAUTIONS



CAUTION

WORKING PLACE	<ol style="list-style-type: none"> 1、 This machine should be put at the dry and clean place,do not put it at the damp place or near the exit of cooling appliance. 2、 This machine should be put on the horizontal and film place.in front and rear of the machine ,there should be sufficient place for the document in and out. 3、 Do not put any articles on the machine.
LAMINATOR FILM	<ol style="list-style-type: none"> 1、 Please use good quality laminating film,in order to show the laminaton effect,and avoid the entanglement.
OBJECT	<p>The laminating machine use the hot press technology,do not use the following object in case laminating failure or laminating film entangle.</p> <ul style="list-style-type: none"> ※1、 Easy-burnt material,easy-softened material. ※2、 The document printed by heat-sensitive paper,or any articles that can be faded or transformed after heating. 3、 Any articles that have drupe,breakage,dampness or deformation before laminating. 4、 Coin or any other hard articles. <p>※means exception while cold laminating operation Do not attempt to laminate articles that eaced total recommend material thickness</p>
MACHINE OPERATION	<ol style="list-style-type: none"> 1、 Do not turn to other usages except the usage range stated in this operation manual. 2、 Do not use the machine outside the room.Before leaving,please cut off the power supply if the operation is over. 3、 Read all safety messages located in this manual and on the machine very carefully.



ADVICES

- 1、 While operating the machine,mind the children nearby,in case any suddenness.
- 2、 Do not suspend the electrical wire on the table or cabinet or any other places that the children can touch,or plece easy stumble persons.
- 3、 Using the accessory that not recommended or sold by the manufacturer,might cause damage on the machine.
- 4、 The photo or document once is laminated,it will become permanent and will not be taken apart.
- 5、 Please do not laminate the collected rare articles,or some articles might be taken out in the future.

SAFETY PRECAUTIONS



WARNING

Please do not use broken, aging or self-made electrical wire and damaged supply cord. Please do not immoderately draw, twist or enlance the electrical wire, to avoid the fire or electric shock.

Please do not use the power supply that is not in accordance with the rated voltage, to avoid the fire or electric shock.



NO DISJOINT



Don't disjoint, modif and repair the machine yourself. If there are any problems on the machine, please do not use it, send it to the dealer for repairing.



ENTANGLEMENT
CAUTION



Keep hands, long hair, loose clothing and articles like ties or necklaces away from the rollers to avoid entanglement. In case some articles entangled, press the Emergency Stop button immediately; if bot workable, cut off the power supply at once, and contact your dealer for settlement.



ELECTRIC SHOCK
CAUTION



Do not make the electrical wire or plug or the machine bedewed by water or other liquids. Do not operate the machine with wet hand. Do not make the machine pressing on the electrical wire. Do not off the power supply while moving the machine. Do not operate the machine with the cover open.

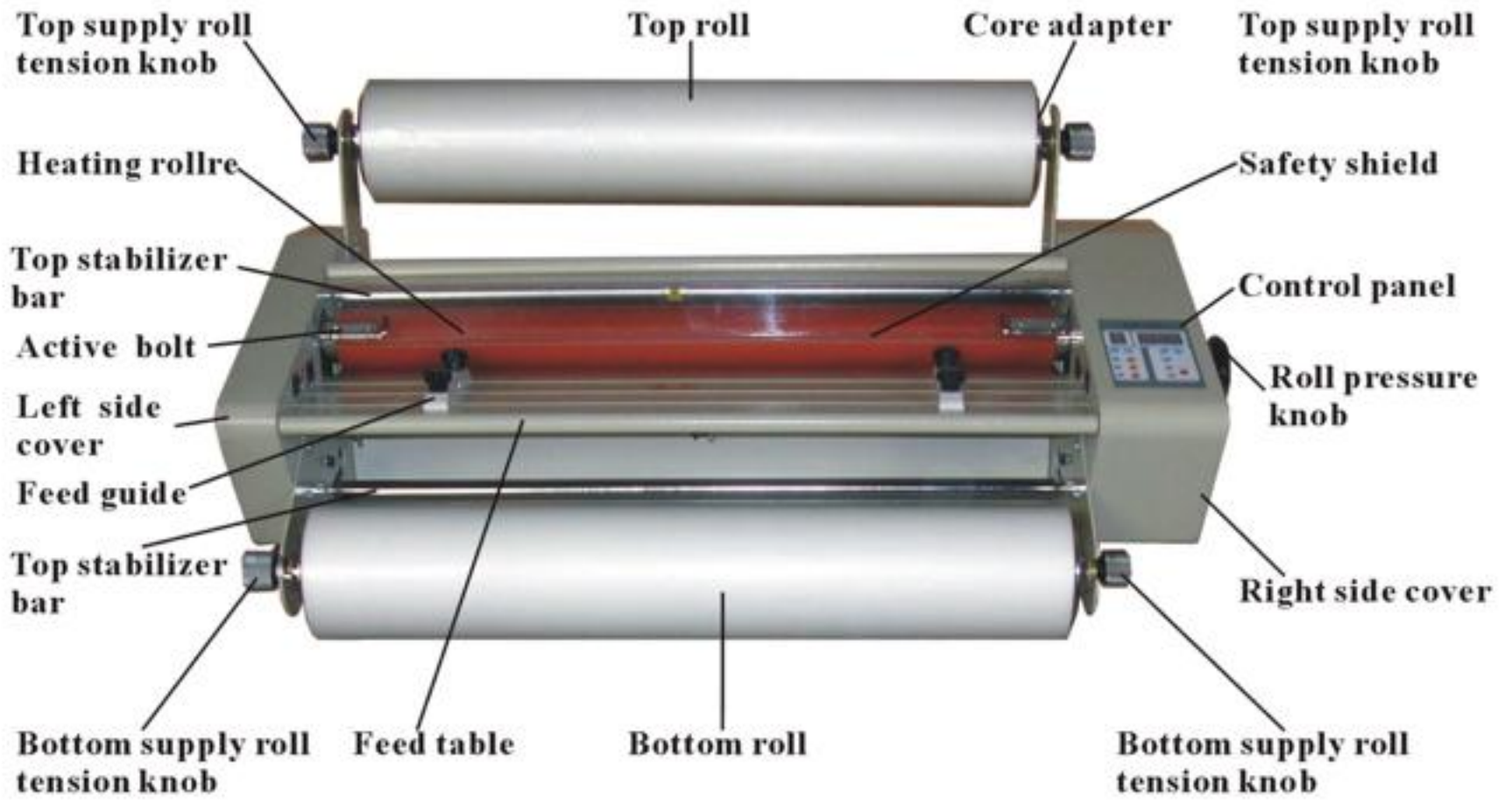


HIGH
TEMPERATURE
CAUTION



Do not put articles on the laminator lhile it is working, so that to disperse the heat. Do not insert the easy-burnt or easy-softened material into the machine, in case they are melt and give rise to smoke. Do not touch the cover, heating roller and heating parts while the machine is working, in case heat injrty.

STRUCTURE AND CONTROL PANEL



CONTROL PANEL AND FUNCTIONS OF DIGITAL DISPLAY

1. Digital display and functions

1) Protecting function of temp sensor's open and short circuit



OPN

When the sensor is in open circuit, shows "OPN"



CLS

When the sensor is in short circuit, shows "CLS"

Note: No matter what problems happened, the machine will cut off the heating power supply automatically, and the motor will stop running.

If motor running required, press the FWD or REV button continuously.

2) Auto memory function

The machine will automatically remember the figure (temperature and speed) of last operation, and will adopt it in this operation, in order to convenient operation.

2. Button function of control panel

1) Temperature contr



Temp control button

A) These can be used for increasing or decreasing Temp. Manually, the temp can be increased or decreased by 1°C when these buttons are pressed. Pressing the button, the temp will be increased or decreased continuously until you loose the button.

B) The range of temp that can be adjusted manually is 0°C—140°C.

C) When the temp reach 140°C, the over-heat protecting system will run automatically.

D) When pressing the temp control button, it indicates the setting temp. When losing the button for 3 seconds, it indicates the present temp. automatically.

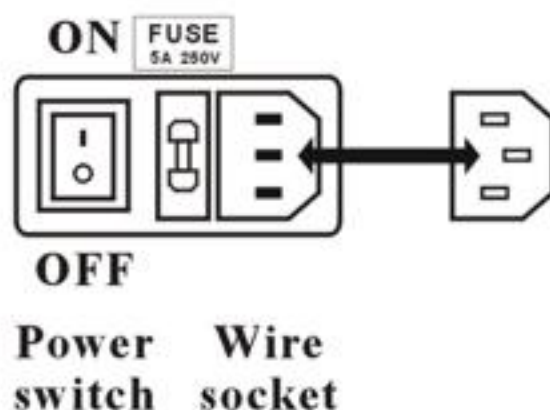
E) When the setting temp is reached, the READY lamp is light.

OPERATION INSTRUCTIONS

PRERPARATION

1.Connecting the power source

- 1)Checking the rated voltage on the machine,to insure it conform to the power source.Also,checking the plug to insure it conform to the sodket.
- 2)If the electric wire does not connet with the machine,connect it with the wire soket on the back of mahcine.



- 3)Insert the plug into the power socket that is grounding correct.
- 4)Turn on the power swith,the display light,it indicates the power is connected.

2.Film threading

Step 1:Raising the safety shield.

Remove the active bolt on the shield,raise the safety shield.

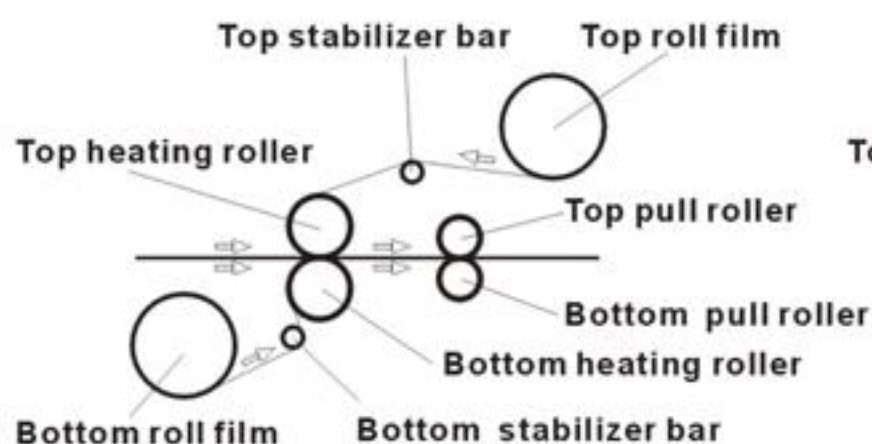
Step 2:Taking out the feed table.

Remove the active bolt under the feed table,take out the feed table.

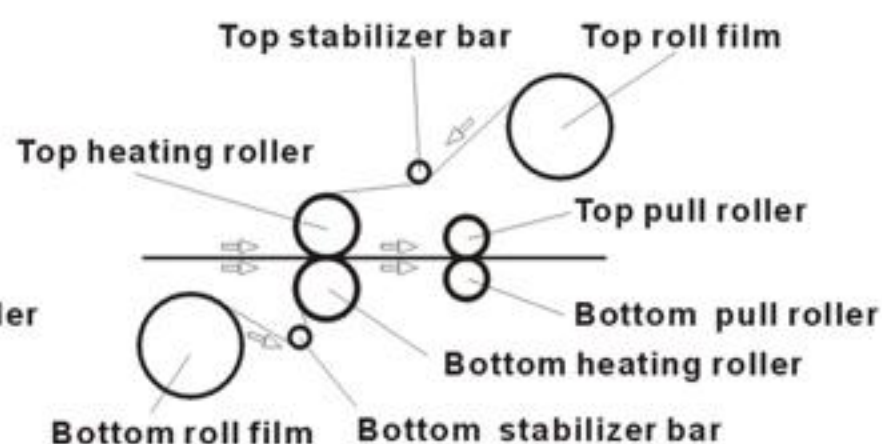
Remark:the machine will power off when the safety shield and the feed table are not in their proper positions.

Step3:Follow the diagram to thread the film

Film outside top stabilizer bar



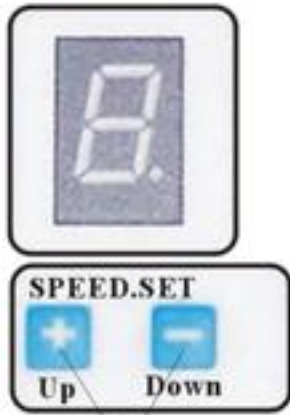
Film intside top stabiliaer bar



Film Threading Diagram

CONTROL PANEL AND FUNCTIONS OF DIGITAL DISPLAY

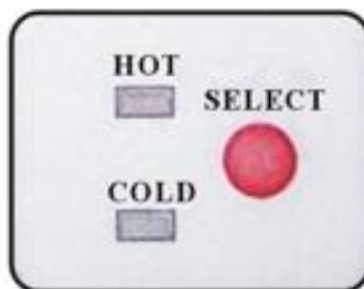
2) Speed control



Speed control button

- A) These can be used for increasing or decreasing speed manually. The speed can be increased or decreased by unit to 1 speed when these buttons are pressed.
- B) The range of speed that can be adjusted manually is speed 1-9.

3) Function selection



- A) Press the SELECT button to the function of machine between hot and cold lamination.
- B) While the HOT lamp is light, the machine is on hot laminating.
- C) While the COLD lamp is light, the machine is on cold laminating.

4) Forward, Reverse and Stop control



Press FWD or REV or STOP button can change the working condition of the machine.

- A) Motor runs forward, the laminating film out, the machine works.
- B) Motor runs reverse, the laminating film in, this function is used for remove the object inserted by mistake.
- C) Motor stop. This function is used for standby.

OPERATION INSTRUCTIONS

HOT LAMINTING

1. Turn on the machine, press the **SELECT** button until the **HOT** lamp is light, the machine begin heating. Set the temperature for whatever film is being used.

2. The laminator will be ready to operation in about 20 minutes.

1) Trial lamination

If the roll film is the first time to used, the trial lamination is required for perfect result. After the **READY** lamp is light, close the rollers with the knob on the right side of the laminator, press **FWD** button, let at least 250mic of film go through the rollers before inserting the items to be laminated. Examine the film coming out the back of machine.

Adjust the machine according to the above instructions until you have the perfect lamination result.

Remember: This machine has auto memory function, that means if you work on the same roll, after the machine is switch on, the temperature and speed will be set to the same figure of the last operation before it was switch off. You can start lamination work directly.

2) After the trial lamination has a satisfied result, position the feed guides according to the width of the item to be laminated, entering the item in the web of film.

Remind: keep clear and enough space behind the machine the machine, so that the laminated item can come out easily, it will not wind onto the rubber roller. If the machine is stopped for a long period, set the temperature decreased by 5-10°C, this will prolong the work-life of the machine.

Stop the machine after item to be laminated pass through the roller completely, otherwise there will be an imprint on the item.

Temperature setting

Normally, your film supplier should provide the information about the film application temperatures and operating characteristics. If you do not know the source of your film, or if the supplier can not provide the information, please try the temperature and speed until you have the result.

Caution: If you do not know the source of the film, or if the supplier can not provide the information, Do not set the temperature more than 150°C.

COLD LAMINTING

Press the **SELECT** button until the **COLD** lamp is light, set the speed level 4 or 5. Load the cold film as the same procedures of hot film; or insert the cold film and the item to be laminated into the roller simultaneously.

CAUTION: The adhesive side must face away from the roller.

OPERATION INSTRUCTIONS

Remark: Usually the shiny side is the polyester side, it contact the roller. The dull side is coated with adhesive. For the matte film, the two sides have minor difference, please especially be careful. Heat the film with lighter can easily tell the polyester side and adhesive side. The adhesive side must face away against to the roller.

Push the roll mandrel to the right side, lift and then take mandrel. Slide the roll film onto the mandrel (follow the above instruction, do not load the film in wrong side). Hold the roll film on the stop collar, the detent on the collar can hold the core of the roll film, to prevent it rotating. Screw on the bolt of stop collar, tighten it. Put both hexagonal fittings into their respective brackets. Make sure they are both fully seated.

Caution: For hot laminating, the top and bottom roll film must have same width, besides, the top film and bottom film must be aligned. (If the film is not in alignment, loose the bolt on core adapter and align it.)

Step4: With both roll films threaded and installed in their respective brackets, unwind the top and bottom supply rolls about half-run each. This will provide enough slack in the web to allow the feed table to slide on easily.

Step5: Slide the feed table into position and lock the active bolt.

Step6: Position the safety shield forward toward the roller and lock the active bolt.

Remark: The machine will not power on without the feed table and the safety shield in the proper positions.

Step7: Make sure there is still enough slack in the web. Close the rollers with the knob on the right side of the laminator. With the film draped over the two heating rollers, and melted or taped together, push one edge of the threading card between the heating rollers so that the film is firmly positioned. Make sure the rollers are in closed position, If a threading card is not available, any piece of card or poster board will work.

Step 8: Push the FWD button. If the film and the card are in the nip (the point where the top and bottom roller meet), the film and the card threading card will start into the laminator and will pass through both sets of rubber rollers. When the threading card has cleared the back of the machine, press the STOP button.

CAUTION: For operator safety, the safety shield must be in position over the upper heating roller when the machine is ON, of the FWD button is pressed.

MAINTENANCE AND SERVICE

GENERAL MAINTENANCE

Do not laminate the metal or other hard items in case the damage of the rubber rollers.

While stop the laminating, lift the top rubber roller with the knob on the right side of the machine. Do not press the rubber roller in case the rubber become stiff and thus shorten its work-life.

Cleaning the machine timely will help prevent dirt or adhesive build-up on the rubber rollers and will improve the performance of the unit.

CLEANING THE RUBBER ROLLERS

During the normal lamination, excess adhesives from the film will often cling to the rubber rollers.

To clean the rubber rollers, lift the rubber roller, remove the film from the machine first, heat up the machine to 30-40°C. The warm roller enables it easier to remove the adhesive built-up on the rollers. Raise the safety shield and take out the feed table. Using a clean, soft, ethanol dampened cloth, gently rub the adhesive off the rollers.

Caution: Never use any abrasive or sharp metal material or rub too hard on the roller, because you may damage the rubber surface.

Press FWD or REV button, the roller will run, cleans the roller. After cleaning, position the feed table and slide on the safety shield.

CAUTION: if the film gets wrapped around the roller, press STOP button (stop heating) immediately. Warning: do not use any cleaning solution to clean the roller, because some solutions may burn on the hot roller. After the roller cool down, cut the film on the top and bottom, just in front of the stabilizer bars. Reverse the roller at a very low speed and allow the machine to back out the film that is wrapped around the rolls, pull the film off the roller. Clean the adhesive on the roller.