

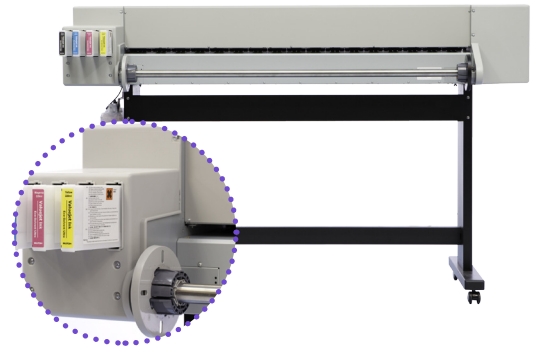
## Optional Take-up Systems for Mutoh ValueJet Printers

No matter what volume you intend to produce on a ValueJet series printer, Mutoh has the solution ! We developed several optional motorised take-up systems for roll widths up to 54" (137 cm) & 64" (165 cm) and for roll weights up to 30, 80 and 100 kg. This will enable you to configure your printer in line with your application needs.

### 54" Motorised Take-Up System

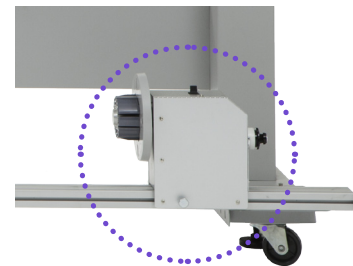
The standard ValueJet printers up to 54" incorporate a set of fixed scroller supports at the back. These scroller supports/receivers enable non-motorised unwinding of 2" / 3" media rolls up to a maximum weight of 19 kg or a diameter of 150 mm.

As an option, a motorised take-up system to roll up your prints is available.



### 51" - 54" Take-up System

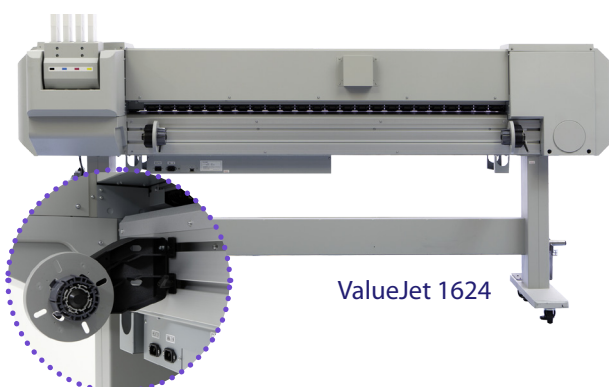
Mutoh's **torque controlled continuous motorised take-up system - ZMY-14810** - will keep permanent tension on the prints coming off the printer. Compatible with 2" and 3" core rolls, this take-up system also enables to set the winding strength. Rolls up to 30 kg or maximum 130 mm diameter can be handled. Similar to the roll-off system at the back of the ValueJet printer, the take-up unit is equipped with repositionable flanges to easily & conveniently load and remove media rolls. Maximum media width is 1371 mm.



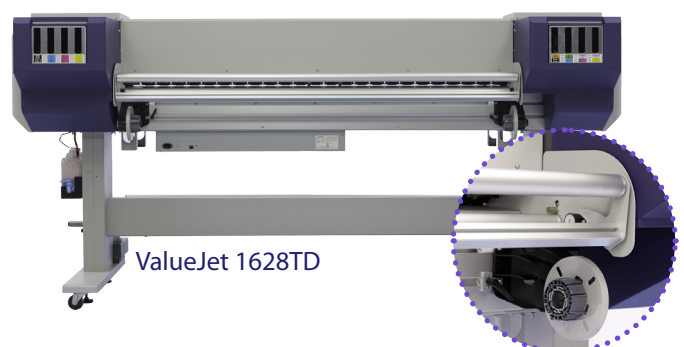
### 64" Motorised Take-Up Systems

The standard Mutoh ValueJet 64" printers come with a set of pre-mounted and repositionable scroller supports at the back. These scroller supports will enable non-motorised roll-off of media rolls (2"/3") up to a weight of 30 kg and a maximum diameter of 150 mm.

ValueJet 64" users can choose between two different 30 kg take-up systems and a heavy-duty 80 kg or a 100 kg motorised roll off/ take-up system.



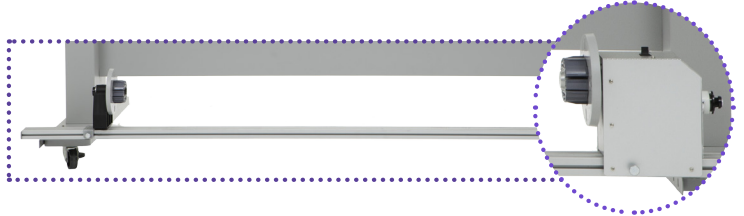
ValueJet 1624



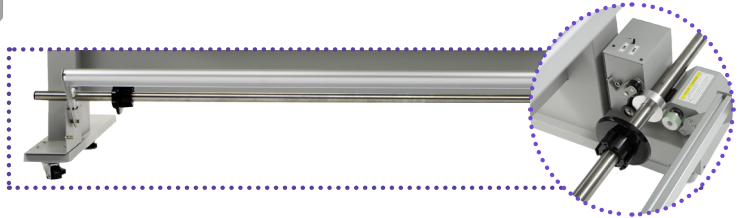
ValueJet 1628TD

## 64" Take-up Systems - 30 kg

Mutoh's **30 kg torque-controlled continuous motorised take-up system - ZMY-14800** - will keep permanent tension on the prints coming off the printer. Compatible with 2" and 3" core rolls, this winding system also enables to set the winding strength. Rolls up to 30 kg or maximum 130 mm diameter can be handled. Similar to the roll-off system at the back of the ValueJet printer, the take-up unit is equipped with repositionable flanges to easily & conveniently load and remove media rolls. Maximum media width is 1625 mm.



Mutoh's **30 kg automatic motorised take-up system with tension bar - VJ16-TUP30** - is a winding system equipped with a mechanical weight-based tension bar and a scroller bar which holds the rolled up prints. The tilting tension bar at all times keeps tension on the media coming off the printer. Roll-up is automatically activated by the angle of the tension bar.

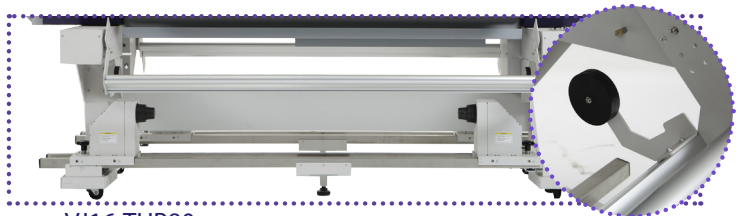
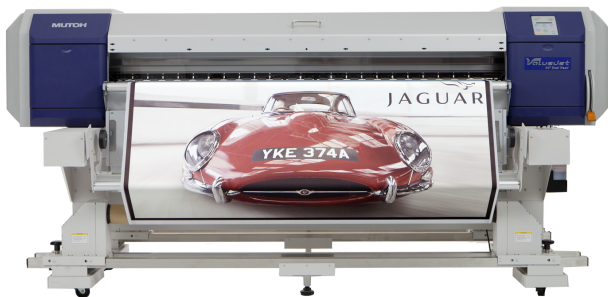


## 64" Take-up Systems - 80 & 100 kg

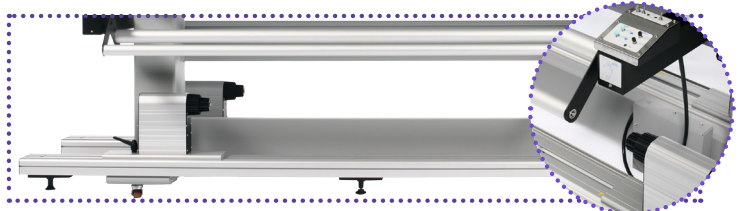
Mutoh's **80 kg (VJ16-TUP80)** and **100 kg (ZMY-14600)** automatic motorised take-up systems with tension bar are heavy-duty unwinding /winding systems for ValueJet 64" printers. Both unwinding and winding is fully motorised.

These take-up systems have been especially developed for users working with heavier media rolls (> 30 kg), heavy media types (> 250 g/m<sup>2</sup>), media types which are difficult to unwind/wind due to static electricity or sticky coating, or slippery media types.

The 80 kg and 100 kg take-up systems enable printing from roll to roll, offering perfect tracking and resulting in straight winding of finished prints on the take-up roll. Via front and rear sensorised tension bars, all media is moved under a constant tension. The take-up systems accept 2"/3" with a maximum diameter of 300 mm and allow high speed production printing. Front and back media handling is easy, fast and convenient thanks to two sets of repositionable flanges. Maximum media width is 1625 mm.



VJ16-TUP80



ZMY-14600

## 54"/64" Take-up Systems for ValueJet Printers

### Compatibility Overview :

	ZMY-14810	ZMY-14800	VJ16-TUP30	VJ16-TUP80	ZMY-14600
ValueJet 1204	V				
ValueJet 1304	V				
ValueJet 1304W(U)	V				
ValueJet 1324	V				
ValueJet 1608HS		V			V
ValueJet 1604W(U)		V		V	V
ValueJet 1614		V		V	V
ValueJet 1624		V	V	V	V
ValueJet 1638		V	V	V	V
ValueJet 1638W		V	V	V	V
ValueJet 1628TD			V	V	

#### Installed ZMY-14800 - 30kg (ZMY-14810:same but smaller system)



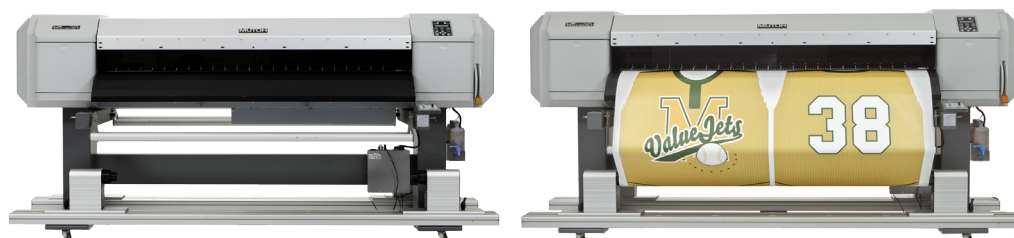
#### Installed VJ16-TUP30 - 30kg



#### Installed VJ16-TUP80 - 80kg



#### Installed ZMY-14600 - 100kg



© Mutoh Belgium nv – April 2012. Specifications are subject to change without notice. The machines depicted on this brochure do not necessarily show a standard configuration. For further info, please contact your nearest Mutoh authorised reseller. All trademarks mentioned are property of their respective owners.